

Minibooth Competition

WHO: Individual 4-Hers or teams (2 persons per team, made up of Cloverleaves, Juniors and/or Seniors) may enter a maximum of one entry in each category.

Exhibits will be judged on

effectiveness of message (50 pts)
quality of construction & general appearance (25 pts)
accuracy & appeal of information presented (25 pts)

Categories:

- 1 Family and Consumer Science
- 2 Agricultural and Environmental Science
- 3 4-H Leadership and Community Service
- 4 Other Special Interest

WHAT: Minibooth exhibits must be constructed to fit into a wooden triangle 30" sides x 24" high x 36" width across front of booth. These booths will be placed on table. Points will be deducted for exhibits extending beyond these boundaries.

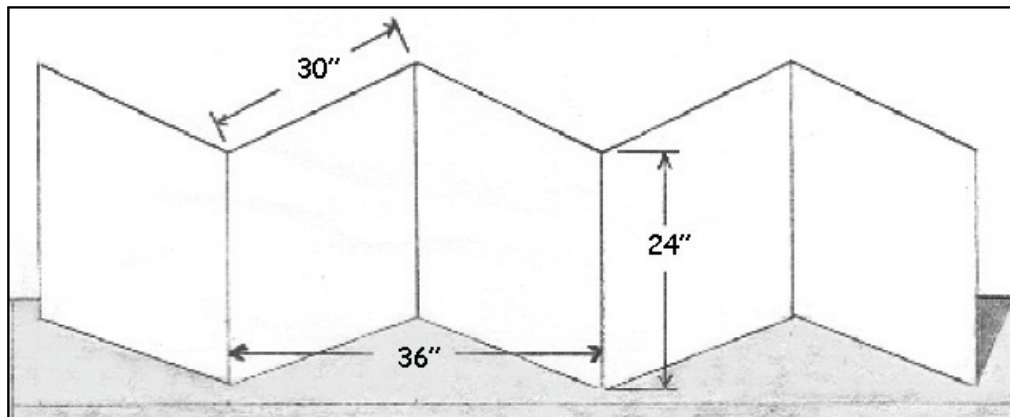
Use of the "floor" in the minibooth to create a three-dimensional exhibit is strongly encouraged.

No electricity is available for minibooths for exhibits at the Fair.

Live animals or toxic substances **may not** be used in the display.

Cleaned, empty containers may be displayed.

Items of value are placed in the booth at the **risk of the exhibitor.**



WHEN: Monday, September 14, 2009

WHERE: at the next scheduled County Council meeting

NEW for 2009

You may choose to enter one

~EITHER~

Spalding County Fair

Minibooth will be displayed at the Spalding County Fair OCTOBER 8-17, 2009

Prizes: 1st: \$50, 2nd: \$40, 3rd: \$30, 4th: \$20

~OR~

GEORGIA NATIONAL FAIR

Minibooth will be displayed at the Georgia National Fair OCTOBER 8-18, 2009

Prizes: 1st: \$50, 2nd: \$40, 3rd: \$30, 4th-10th: \$20

winners for Georgia National Fair are **required to deliver and set-up (Oct. 1-3) and pickup minibooths (Oct 20-21) in Perry
All minibooths participating at the Georgia National Fair
must have been a previous winner at the 2009 county level competition*